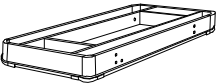



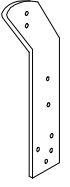
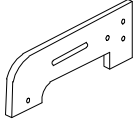
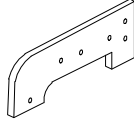
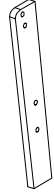
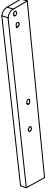

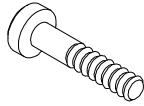
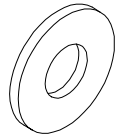
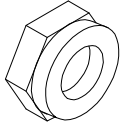
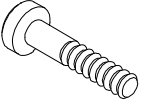

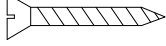

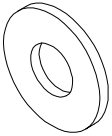
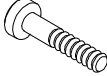
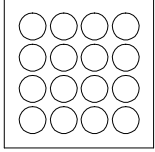
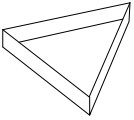

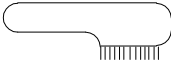
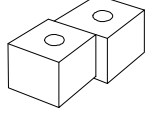


POOL TABLE



ITEM NO.:6030.151

Parts List

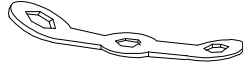
<p>#1</p>  <p>Main frame 1 piece</p>	<p>#2</p>  <p>Leg panel (A) 2 pieces</p>	<p>#3</p>  <p>Leg panel (B) 1 piece</p>	<p>#4</p>  <p>Left Leg (A) 1 piece</p>
<p>#5</p>  <p>Right Leg (A) 1 piece</p>	<p>#6</p>  <p>Left Leg (B) 1 piece</p>	<p>#7</p>  <p>Right Leg (B) 1 piece</p>	<p>#8</p>  <p>Left Leg (1) 1 piece</p>
<p>#9</p>  <p>Right Leg (2) 1 piece</p>	<p>#10</p>  <p>5/16"X1-3/4" Bolt 4 pieces</p>	<p>#11</p>  <p>5/16"X2" Bolt 4 pieces</p>	<p>#12</p>  <p>5/16"X23mm Washer 12 pieces</p>
<p>#13</p>  <p>5/16" Nut 4 pieces</p>	<p>#14</p>  <p>1/4"X1-3/4" Bolt 6 pieces</p>	<p>#15</p>  <p>1/4"X19mm Washer 6 pieces</p>	<p>#16</p>  <p>F4"X2-1/4" Screw 12 pieces</p>
<p>#17</p>  <p>The wheel 4 pieces</p>	<p>#18</p>  <p>3/8"X25mm Washer 8 pieces</p>	<p>#19</p>  <p>3/8"X2-1/4" Bolt 4 pieces</p>	<p>#20</p>  <p>Billiard balls 1 Set</p>
<p>#21</p>  <p>Triangle 1 piece</p>	<p>#22</p>  <p>Cue stick 2 pieces</p>	<p>#23</p>  <p>Brush 1 piece</p>	<p>#24</p>  <p>Chalk 2 pieces</p>

#25



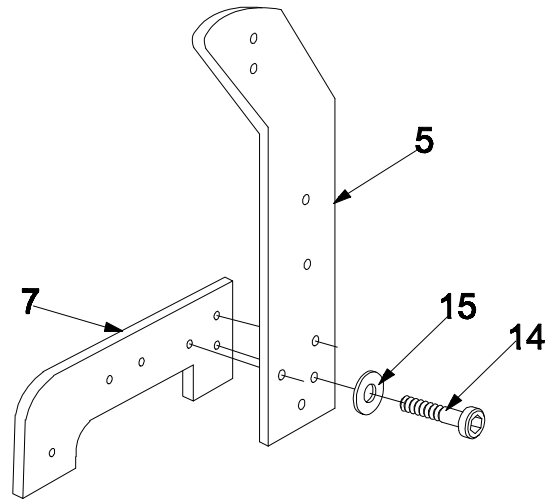
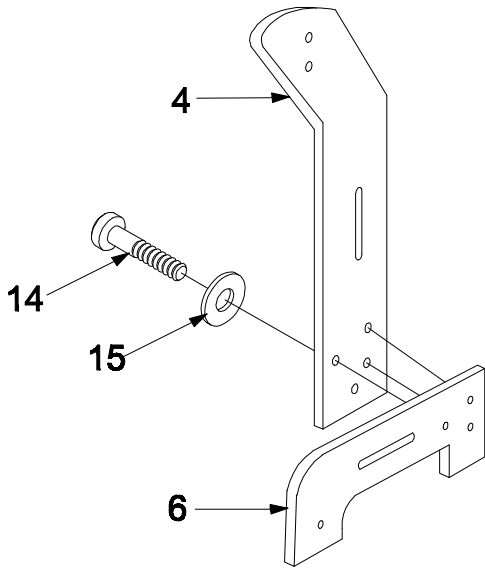
Allen Key
1 piece

#26

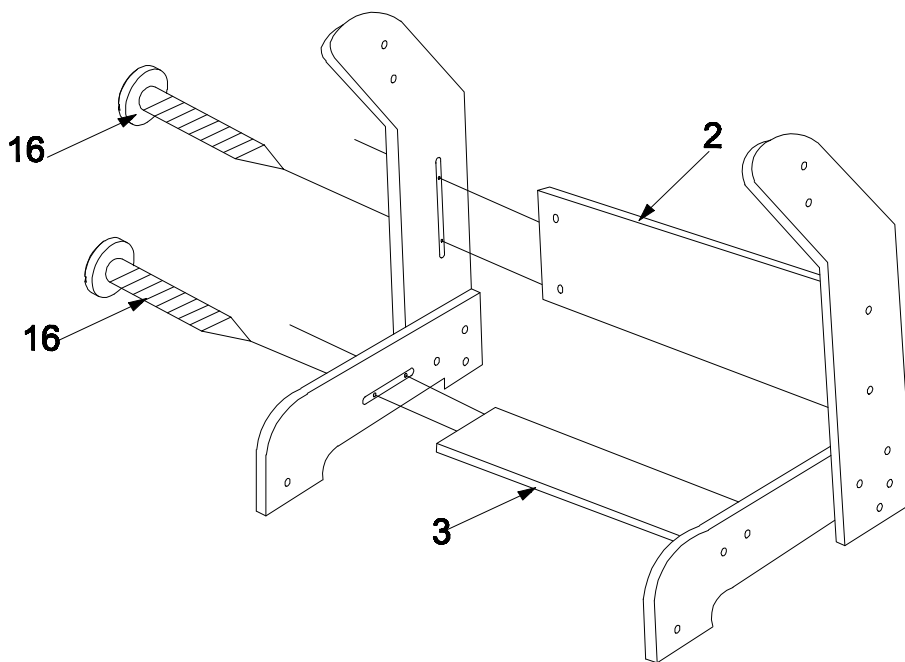


Wrench
1 piece

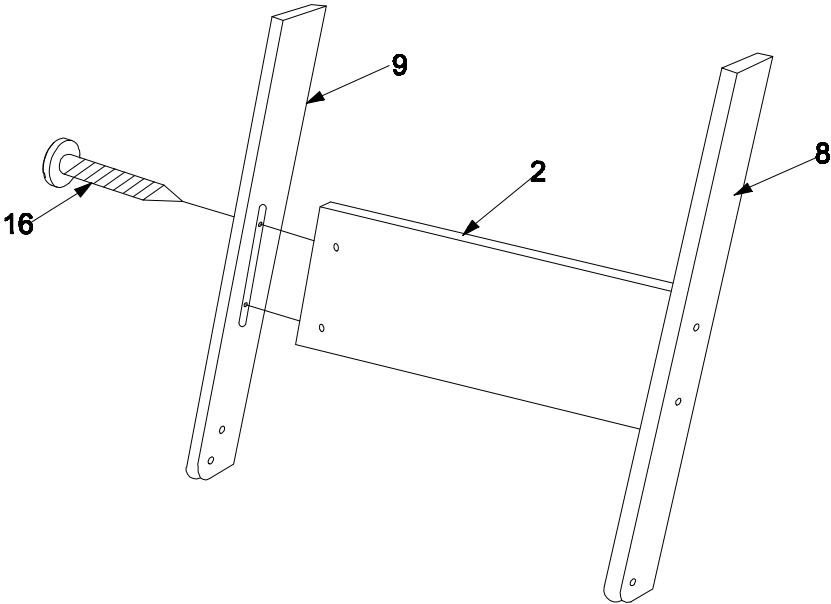
Step 1:



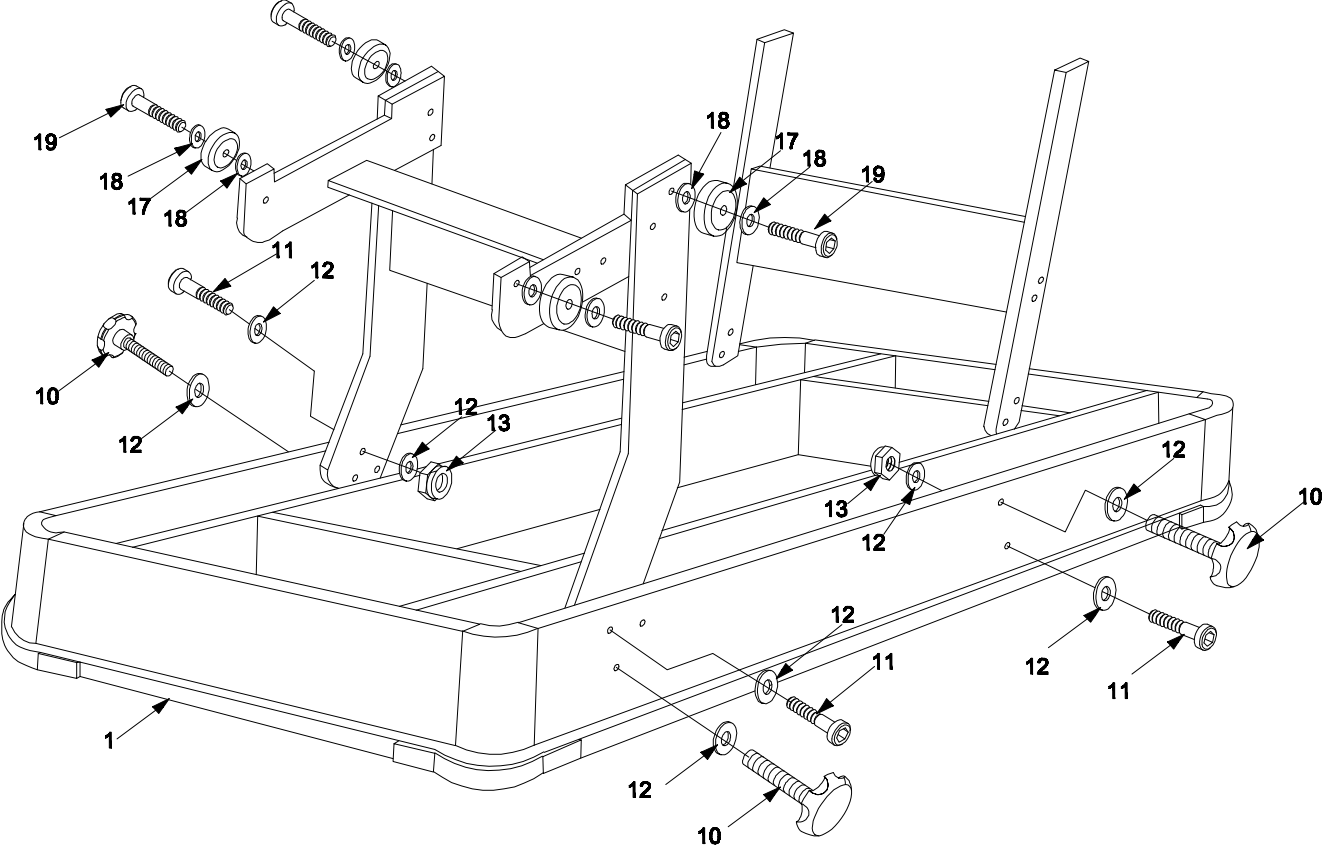
Step 2:



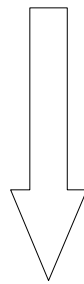
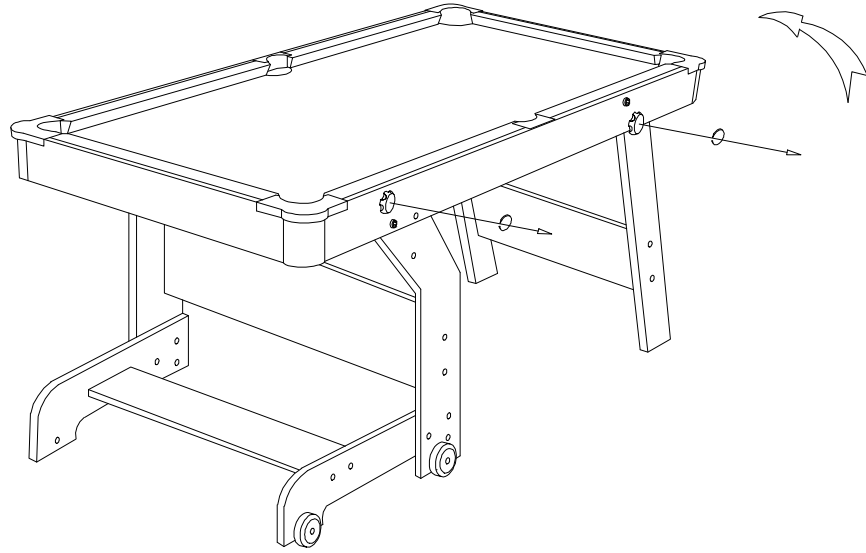
Step 3:



Step 4:



Step 5:



Step 6:

